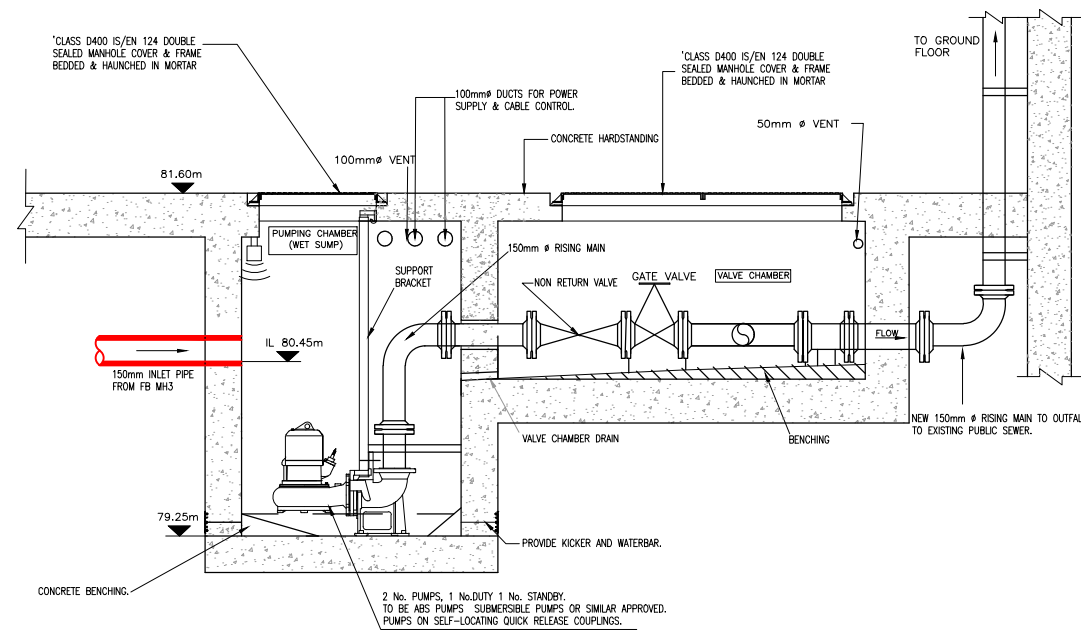
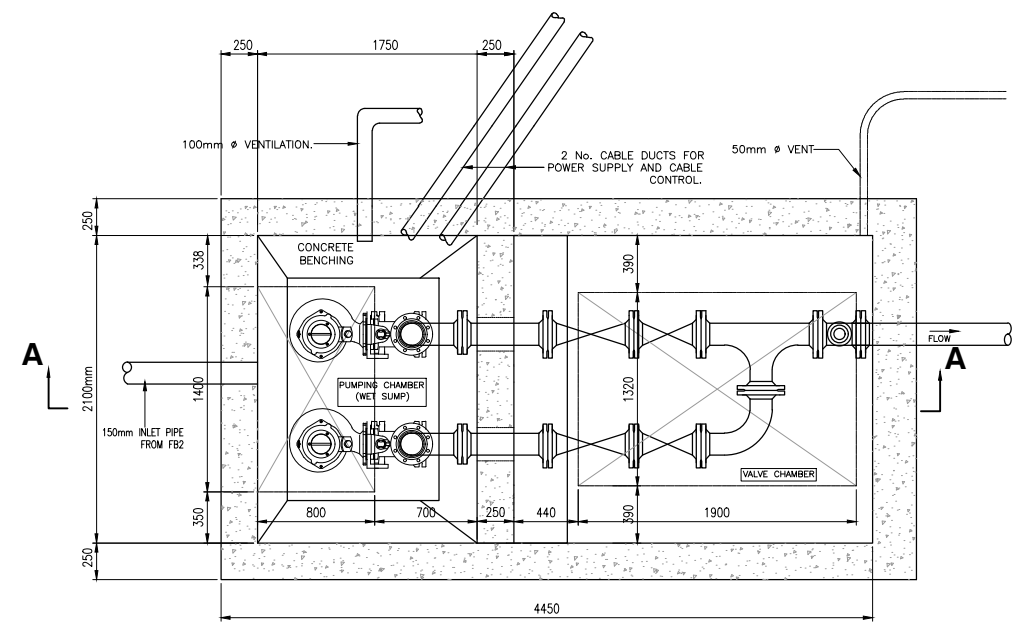


**PLAN VIEW**  
**PROPOSED BASEMENT PUMPING STATION LAYOUT**  
 SCALE 1:250 @A1



**SECTION A-A**  
 SCALE 1:25



**SECTIONAL PLAN**  
 SCALE 1:25  
**TYPICAL FOUL WATER PUMPING STATION**

- NOTES:
- DO NOT SCALE. USE FIGURED DIMENSIONS ONLY.
  - THIS DRAWING IS TO BE READ IN CONJUNCTION WITH ALL OTHER RELEVANT ARCHITECTURAL AND ENGINEERING DRAWINGS.

**LEGEND**

150mm @ 1:100 ■ FB MH1 CL 81.60 IL 80.85

150mm @ 1:100 — G

PROPOSED FOUL WATER SEWER & MANHOLE WITH MANHOLE REFERENCE, COVER & INVERT LEVEL

PROPOSED GULLY & CONNECTION

11:28

**--- DRAFT ---**  
 Graham Byrne

6 April 2022

REV.	DATE	AMENDMENT	DRN	APPD

STATUS **FOR PLANNING ONLY**  
**NOT FOR CONSTRUCTION**

**Waterman Moylan**  
 Engineering Consultants

BLOCK 5, EASTPOINT BUSINESS PARK, ALFIE BYRNE ROAD,  
 DUBLIN D03 H3F4 IRELAND. Tel: (01) 664 8900  
 Email: info@waterman-moylan.ie www.waterman-moylan.ie

CLIENT **SANDYFORD ENVIRONMENTAL CONSTRUCTION LTD**

ARCHITECT **MC CAULEY DAYE O'CONNELL**

PROJECT **TACK SANDYFORD SHD**

TITLE **FOUL PUMPING STATION DETAILS**

DRAWN	DESIGNED	APPROVED	DATE
G.Byrne	BMC	JG	MAR. '22
SCALE	JOB NO.	DRG. NO.	REVISION
AS SHOWN @A1	21-118	P127	